



# IX100/202

## Retail Printing Scales

The stylish IX series printing scales offer an outstanding range of features at the lowest price available.

- Most economical scale in its class.
- LCD display shows product description and enables easy programming.
- FREE PC-to-scale software included.
- Choice of models to suit all counters.
- Flexible pre-pack, label & receipt printing from one scale.
- Network up to 9 scales.
- Easy to access, fast loading printer with take-up spool (below).



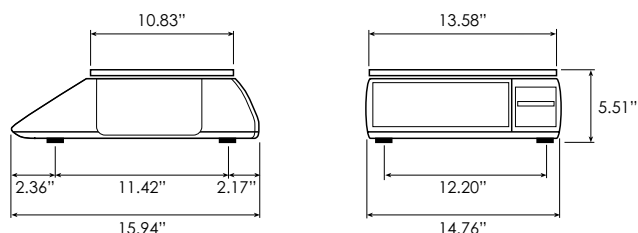
**D**esigned to suit small independents and convenience stores, the IX series meets the essential needs of the local retailer at the most economical price. With free PC-to-scale software and a compact footprint to suit a variety of counter sizes, it's never been easier to maintain prices, labels and COOL standards.

## Features

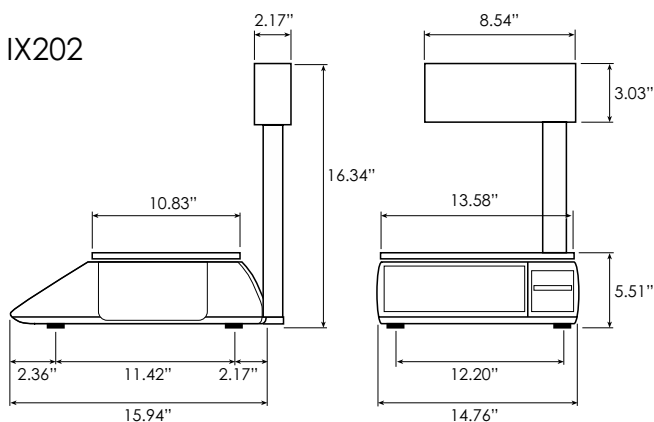
- **Easy to read, backlit LCD display**
- **Details of up to 1000 products and prices can be stored and recalled**
- **Easy access thermal printer**
- **Wipe clean, membrane keyboard**
- **Envelope pocket for custom keyboard overlay**
- **MX020 - FREE, easy-to-use PC software to manage your scale.**
- **Network up to 9 IX scales**

## Dimensions

### IX100



### IX202



## Specifications

- **Design**  
IX100 – One-piece modular design.  
IX202 – Customer tower display with extended keyboard.
- **Weighing Capacities Available**  
15 kg x 5 g.  
30 lb x 0.01 lb.
- **Display**  
Backlit LCD displays
- **Printer**  
Easy-access, thermal label and receipt printer with take-up spool for backing paper:  
2.2 in/second print speed.  
3.94 in/100 mm diameter roll.  
2.2 in/56 mm print width.
- **Keyboard**  
Wipe clean keyboard with audible beep. Fast number entry via cluster key arrangement. Envelope pocket for keyboard overlay.  
IX100 – 57 key keyboard. 36 direct PLUs.  
IX202 – 79 key keyboard. 54 direct PLUs.
- **Data Memory**  
Details of 1000 products/prices can be stored and recalled.
- **Operators**  
Up to eight operators can serve customers from any of the scales on the network.
- **Barcodes**  
EAN 8/EAN 13/UPC 12/UPC 13
- **Interfaces**  
RS485 scale interface as standard. Nine scales may be linked in a network.  
RS232 link to PC or barcode scanner.  
Cash drawer interface.
- **Management Reports**  
PLU, group and operator totals.



**Avery Weigh-Tronix  
(Retail North America)**  
1000 Armstrong Drive  
Fairmont, MN 56031

**PH Toll-Free:** 800-237-1886

**PH:** 507-238-4461

**FAX Toll-Free:** 800-237-2063

**FAX:** 507-238-8756

**E-mail:** sales@AveryBerkelUSA.com  
**Internet:** www.AveryBerkelUSA.com



Product complies  
with F.C.C.